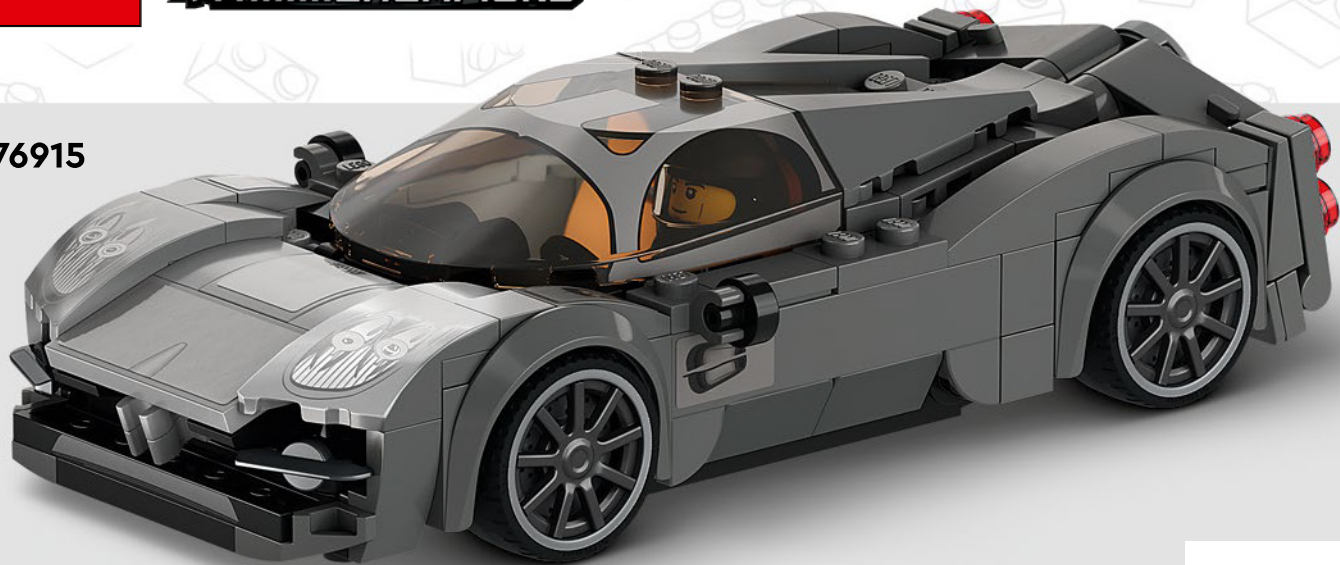




SPEED
CHAMPIONS

76915





Get excited about our new packaging!

We're switching from plastic to paper-based packaging. That's why you might find a mix of paper and plastic in our boxes!

Nos nouveaux emballages vous emballeront !

Nous passons des emballages en plastique aux emballages à base de papier. C'est pourquoi vous pourriez trouver un mélange de papier et de plastique dans nos boîtes !

¡Te presentamos nuestros nuevos empaques!

Estamos sustituyendo las bolsas de plástico por bolsas con base de papel. ¡Por eso, puedes encontrar una mezcla de papel y de plástico en nuestras cajas!

[LEGO.com/sustainable-packaging](https://www.lego.com/sustainable-packaging)



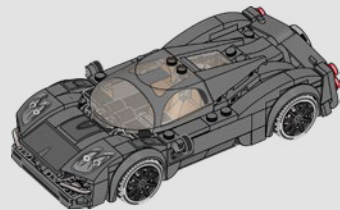
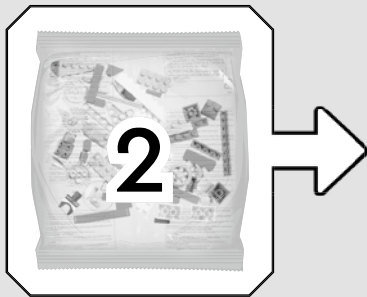
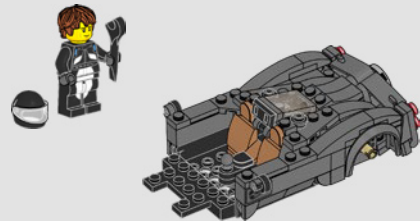
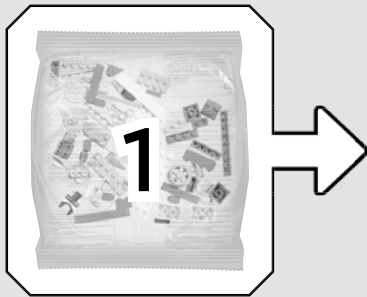
BUILDER

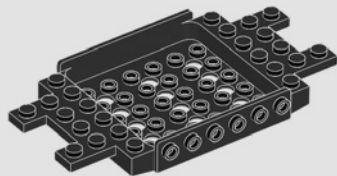
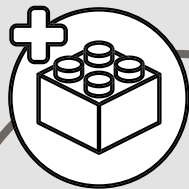


Apple and the Apple logo are trademarks of Apple Inc., registered in the U.S. and other countries and regions. App Store is a service mark of Apple Inc. Google Play and the Google Play logo are trademarks of Google LLC. Tencent and the Tencent logo are trademarks of Tencent Inc.

[LEGO.com/devicecheck](https://www.lego.com/devicecheck)

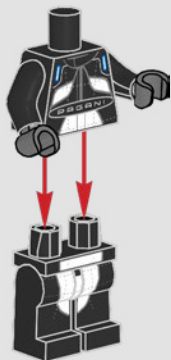
EN Ask parents' permission before going online | **DE** Eltern um Erlaubnis bitten, bevor du online gehst | **FR** Demande l'autorisation d'un parent avant d'aller en ligne | **IT** Chiedi il permesso ai tuoi genitori prima di andare online | **ES** Pídeles permiso a tus papás antes de conectarte a Internet | **PT** Pede autorização aos pais antes de acederes online | **JA** オンラインになる前にほご者の方のきよかをもらおう | **ZH** 上网前应先征得父母的同意 | **KO** 온라인 접속 전에 보호자 동의가 필요합니다 | **RU** Спроси разрешения у родителей, прежде чем заходить в интернет | **PL** Poproś rodziców o zgodę, zanim wejdziesz do Internetu | **CS** Než půjdeš na internet, požádej rodiče o svolení | **SK** Skôr než pôjdeš na internet, vypýtaj si povolenie od rodičov | **HU** Kérj szülői engedélyt, mielőtt online csatlakoznál! | **RO** Cere permisiunea părinților înainte de a te conecta online | **BG** Поискайте разрешение от родител, преди да влезете онлайн | **LV** Pirms došanās tiešsaistē palūdz atļauju vecākiem | **ET** Enne Interneti kasutamist küsi vanematelt luba | **LT** Prieš prisijungdami prie interneto, atsklauskite tėvų



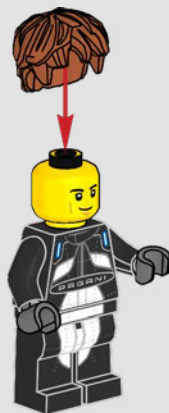


1x

1



2

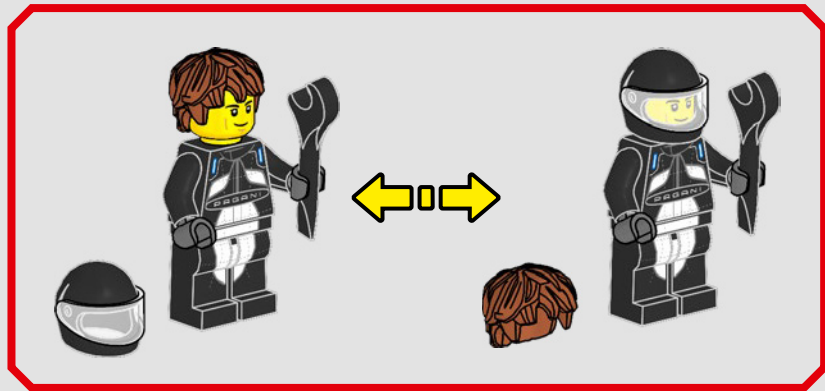
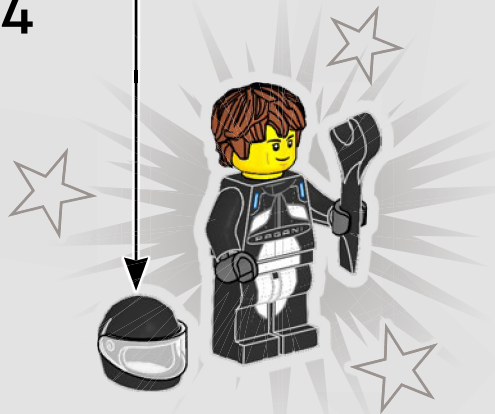


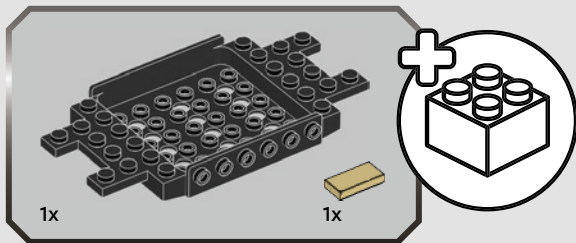
3



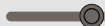
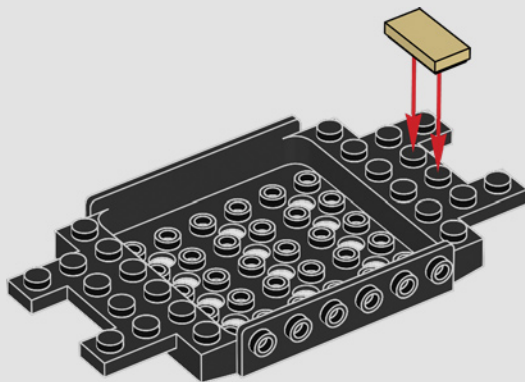


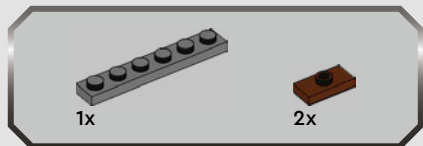
4



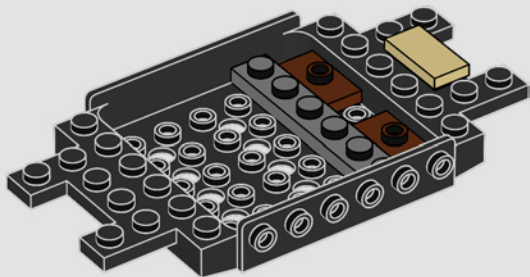


1

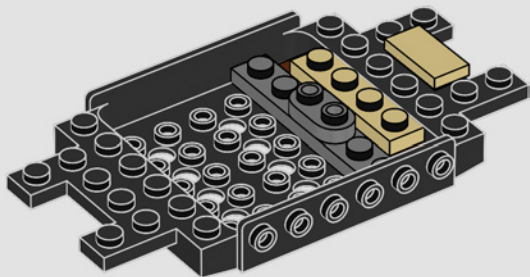




2

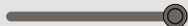
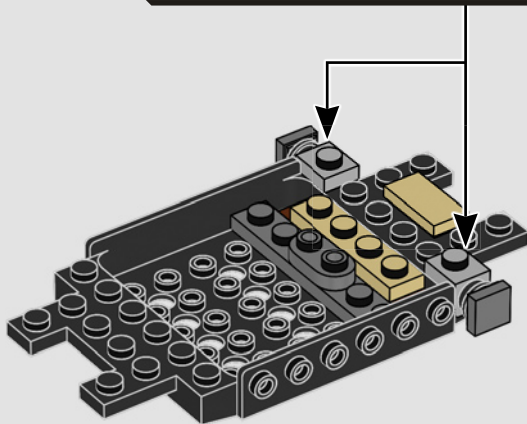
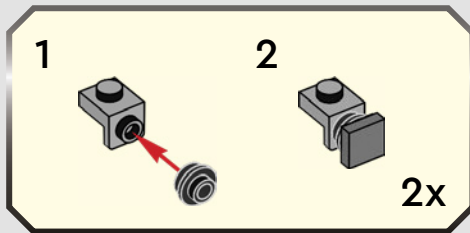


3



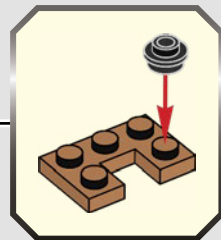
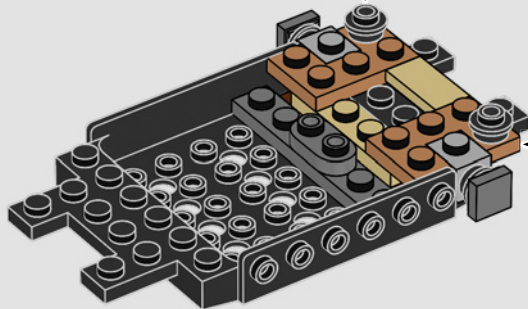
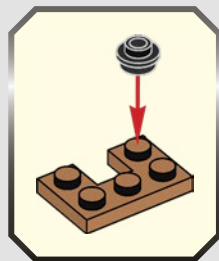


4



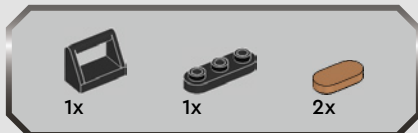
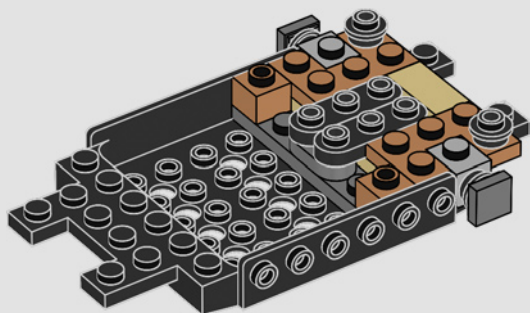


5

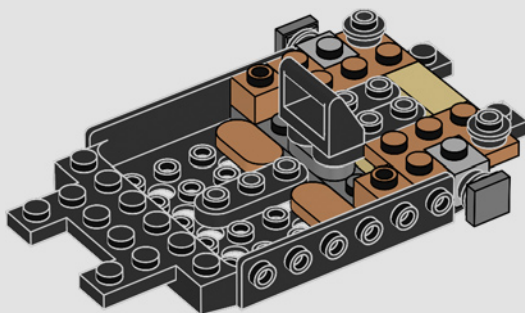


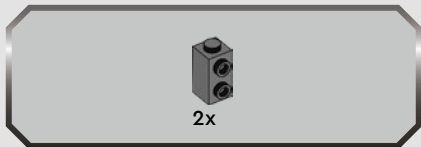


6

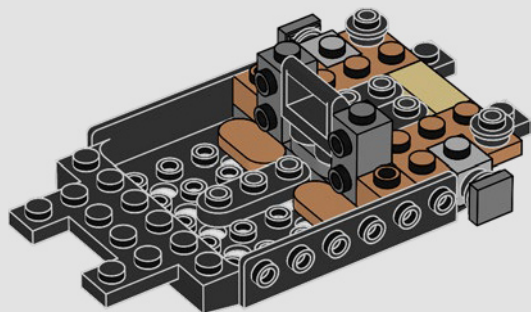


7

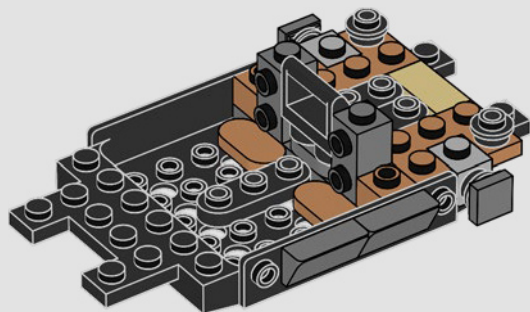




8



9



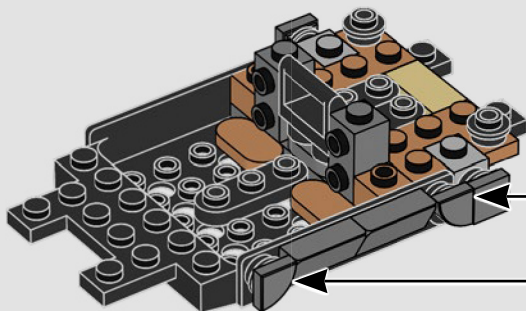
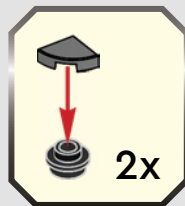


2x



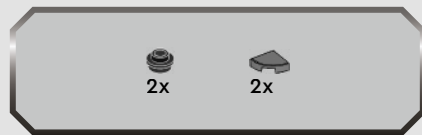
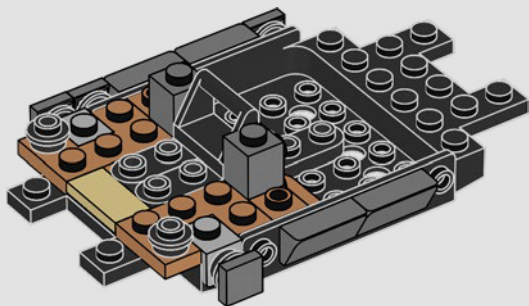
2x

10

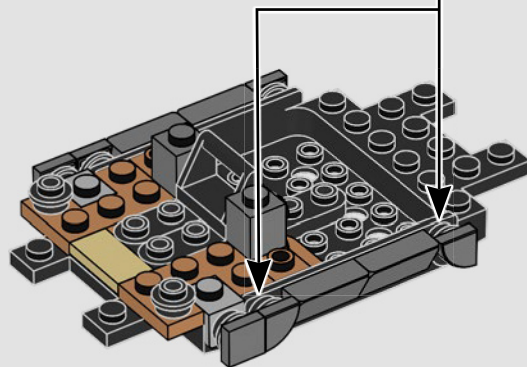
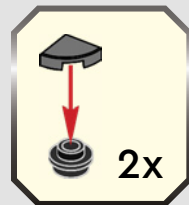


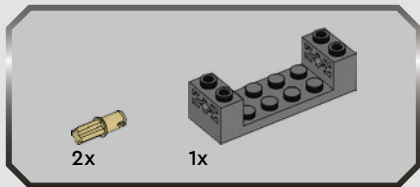


11

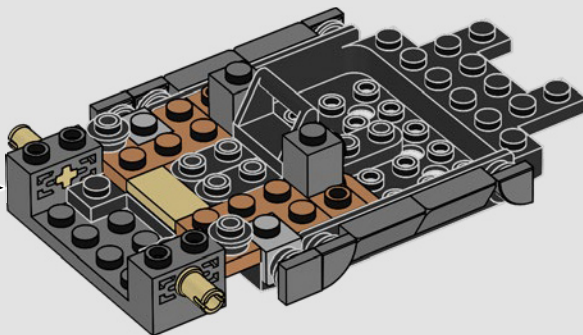
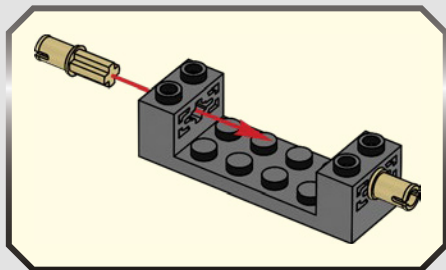


12



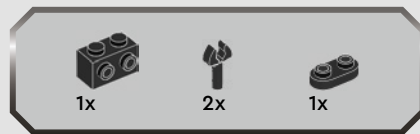
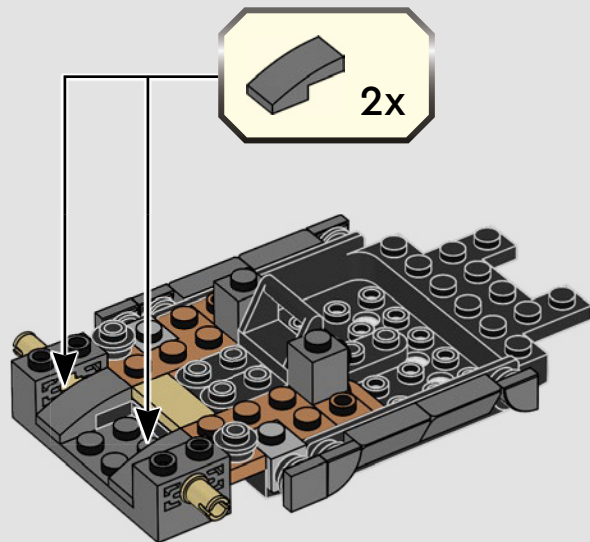


13

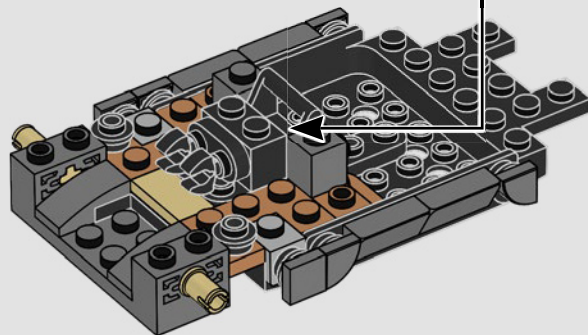
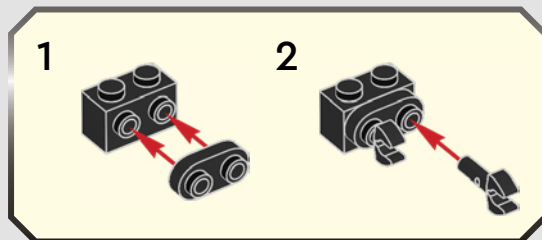


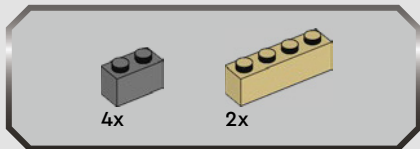


14

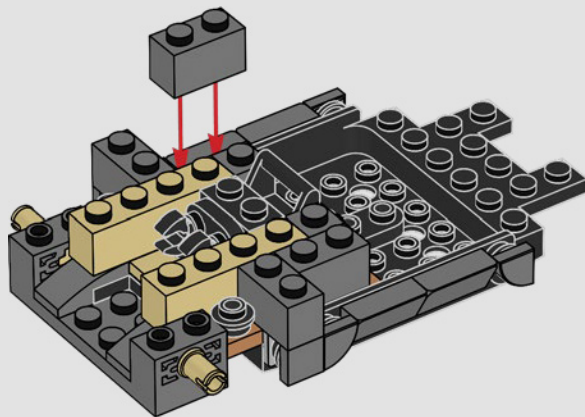


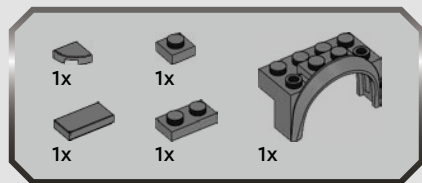
15



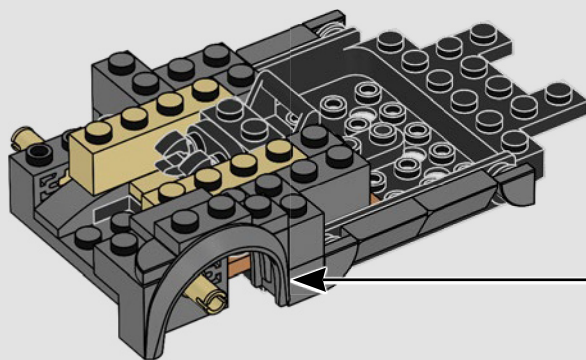
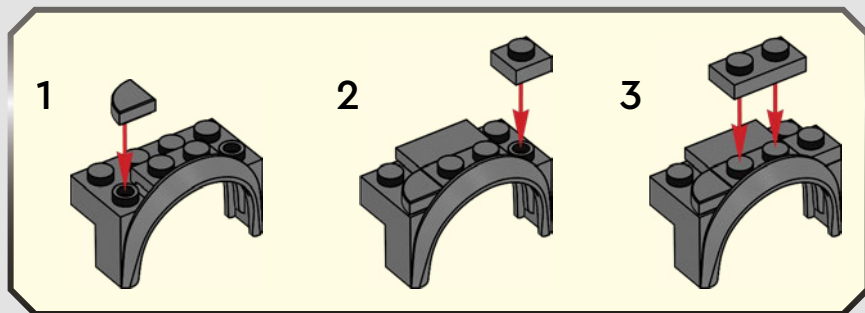


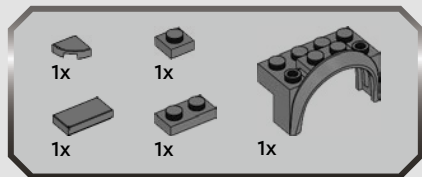
16



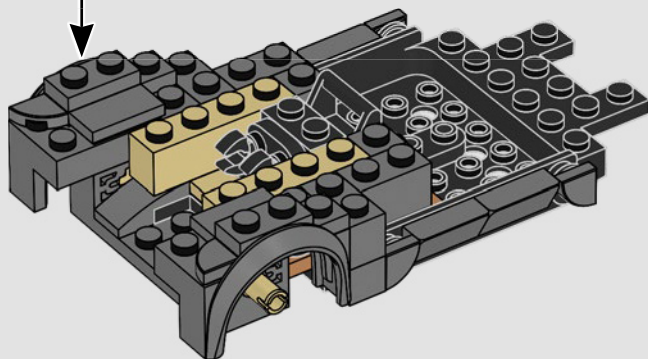
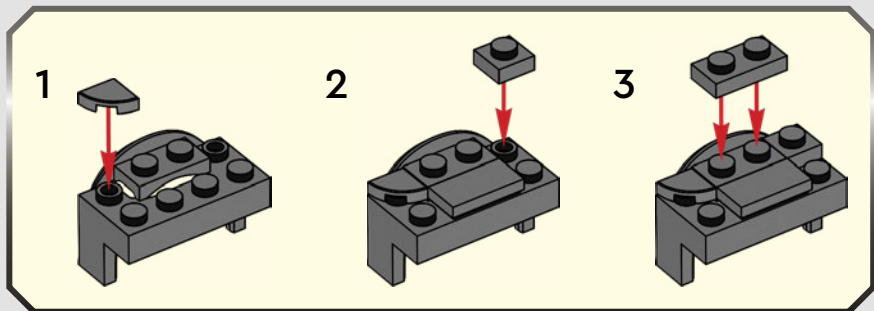


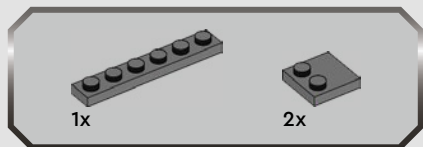
17



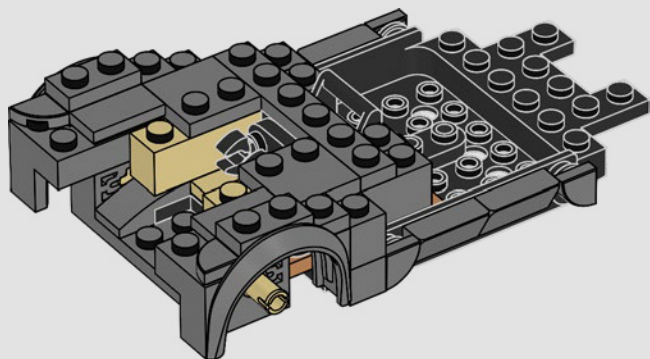


18

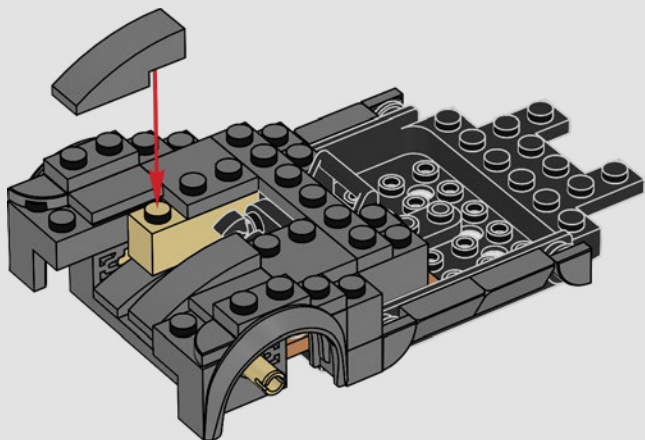




19



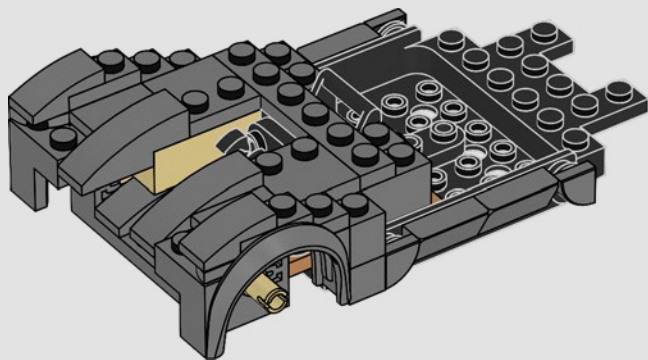
20

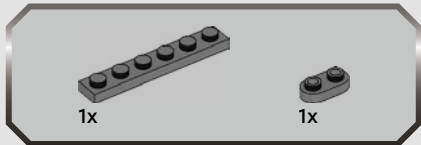
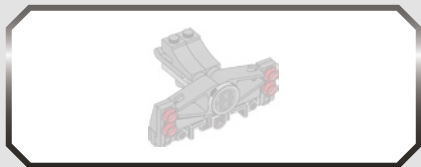




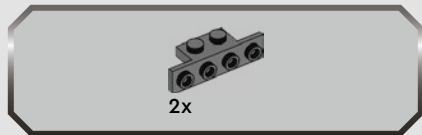
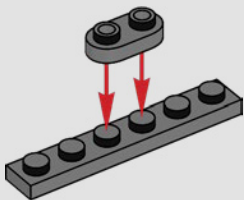
2x

21

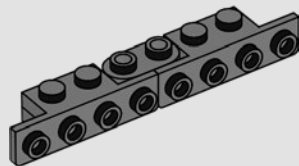


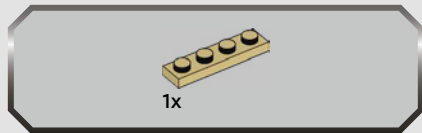


22

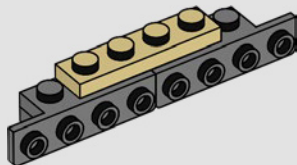


23

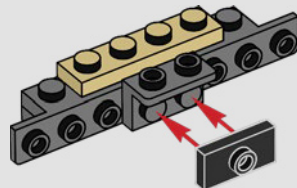




24



25



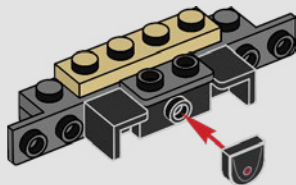


2x



1x

26

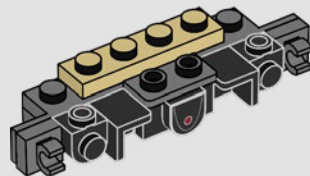


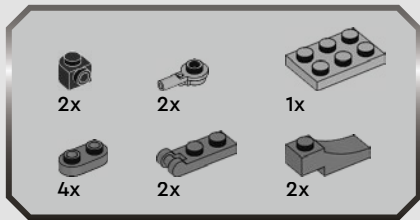
2x



2x

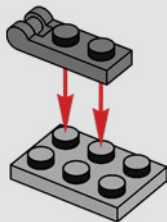
27



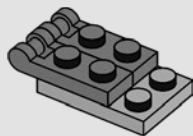


28

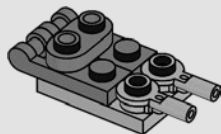
1



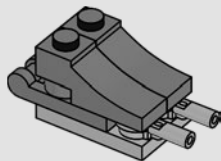
2



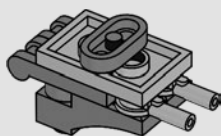
3



4



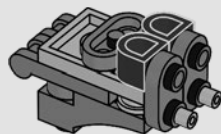
5



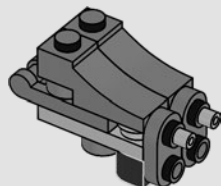
6

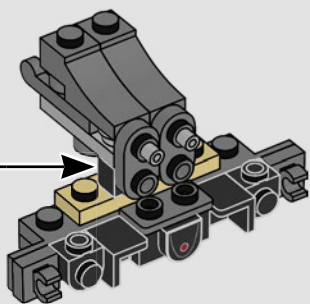


7

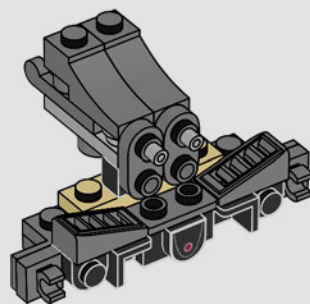


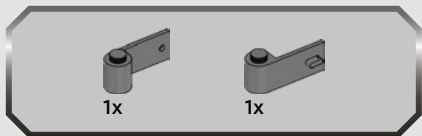
8



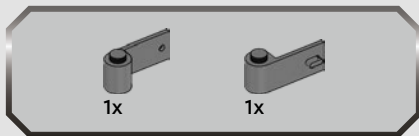
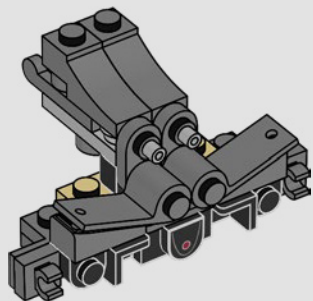


29

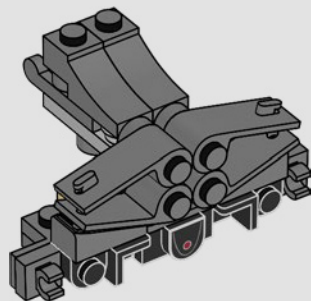


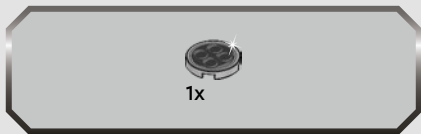


30

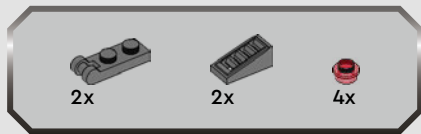
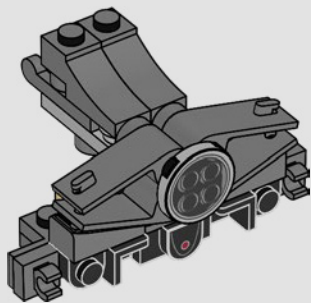


31

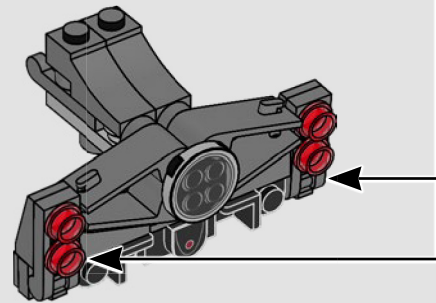
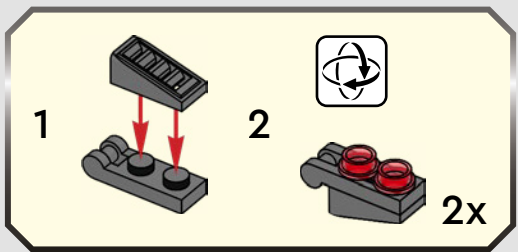




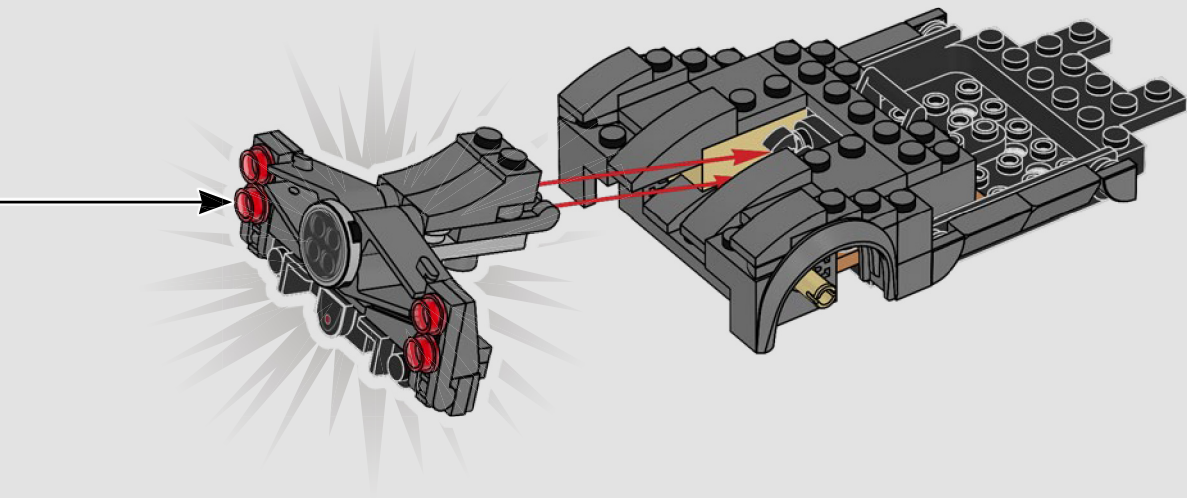
32

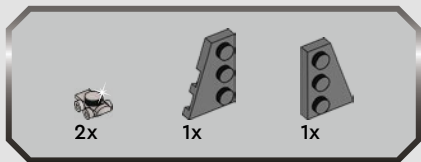


33

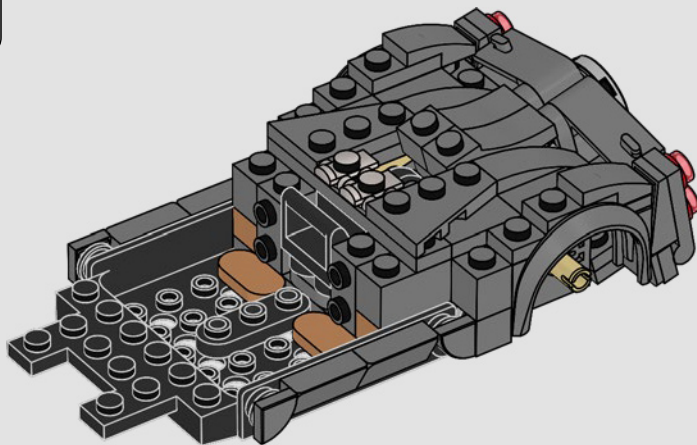


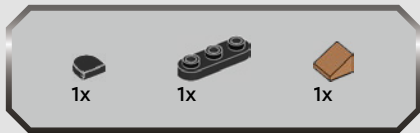
34



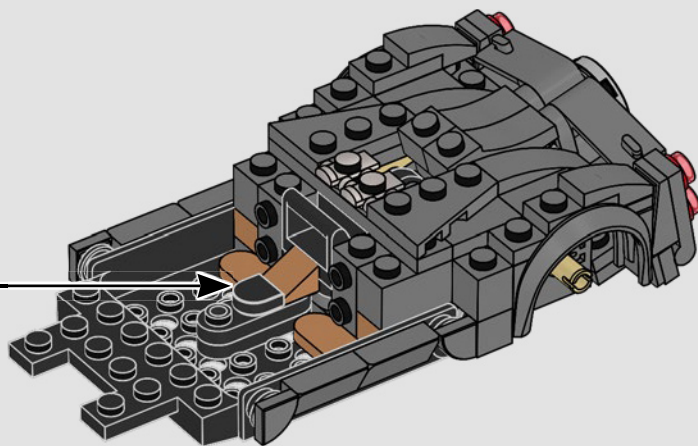
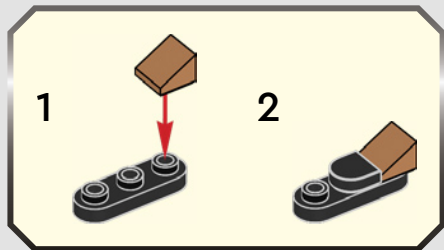


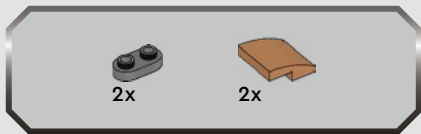
35



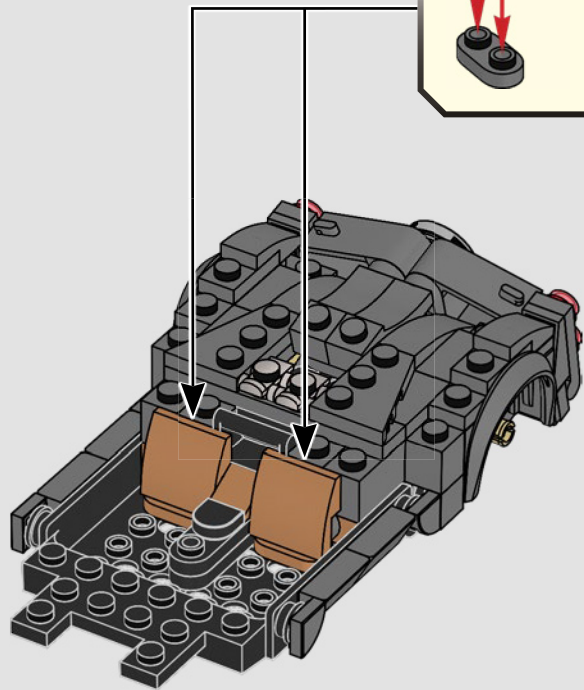
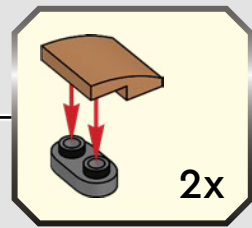


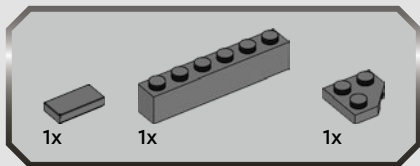
36



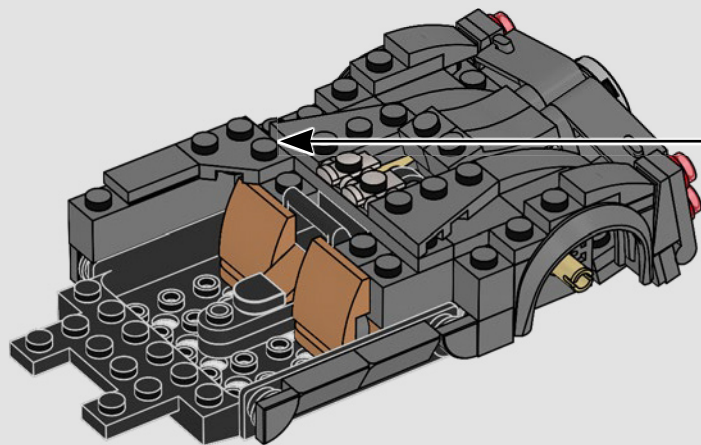
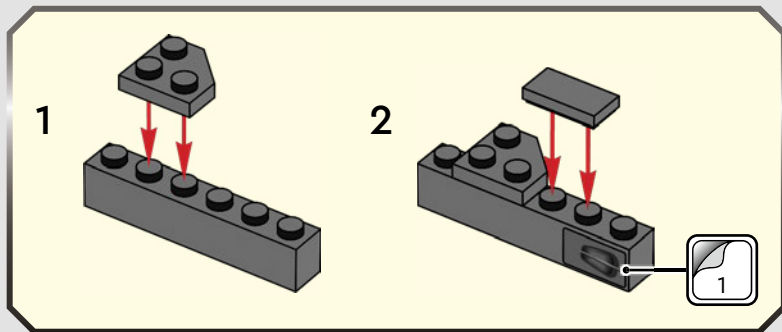


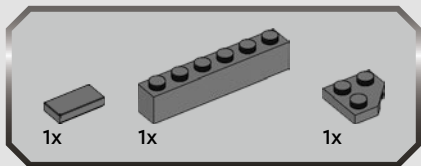
37



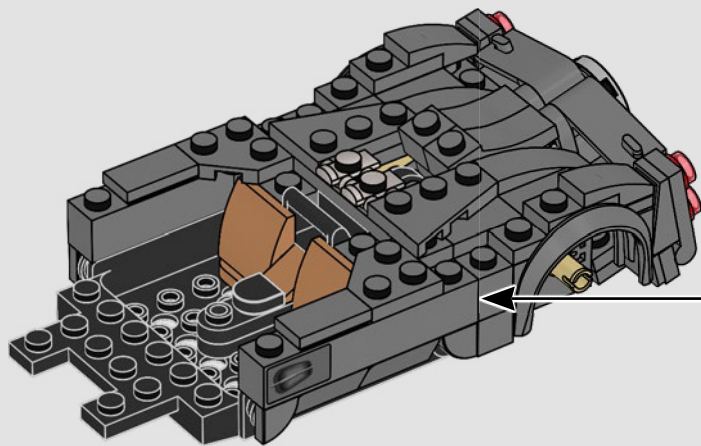
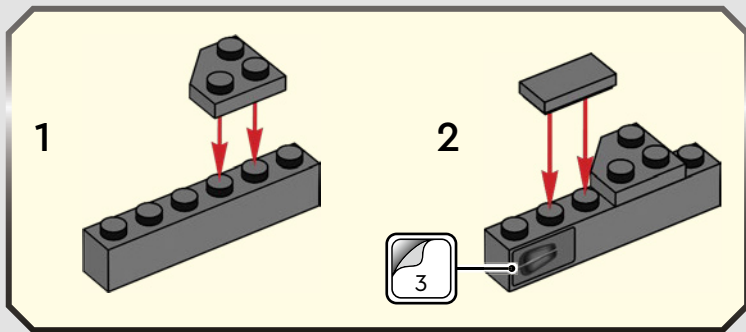


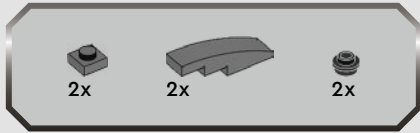
38



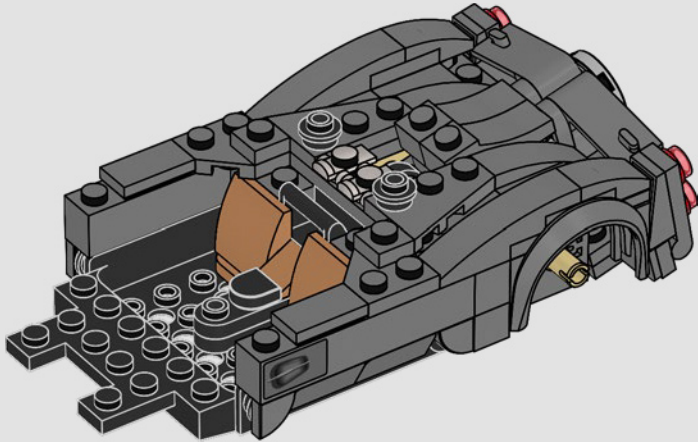


39



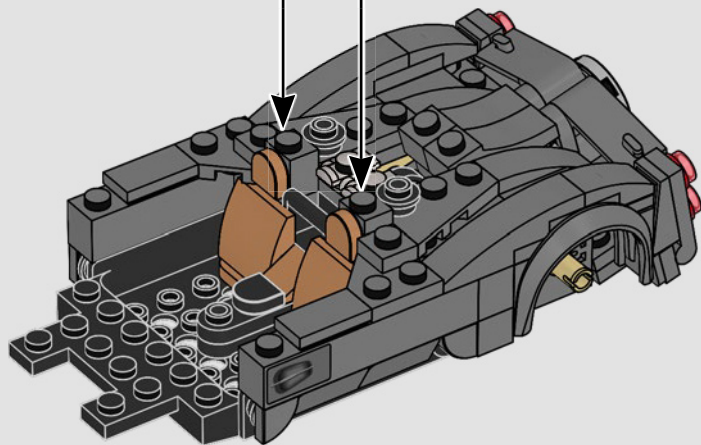
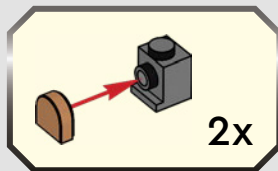


40



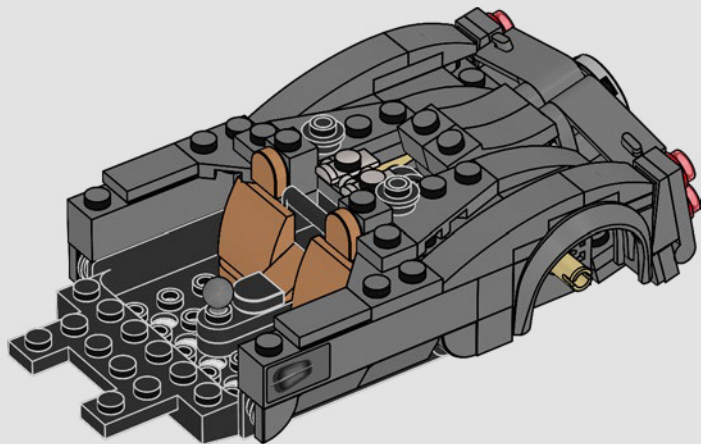


41





42



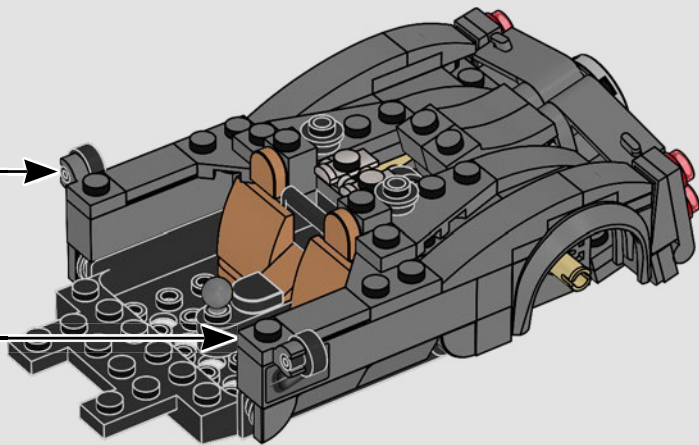
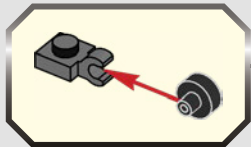
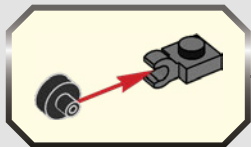


2x



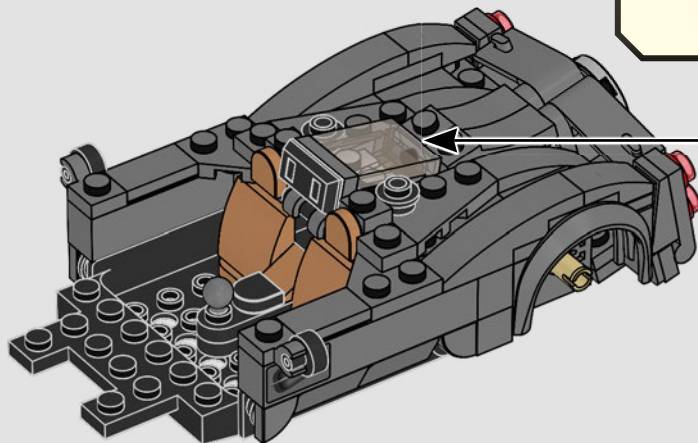
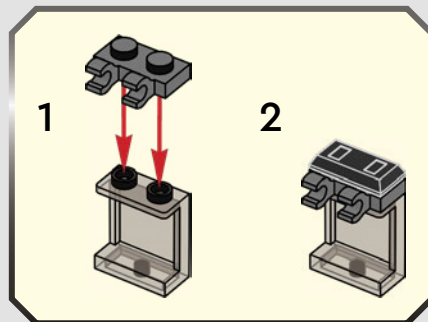
2x

43

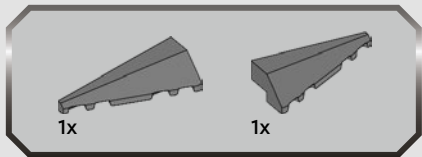




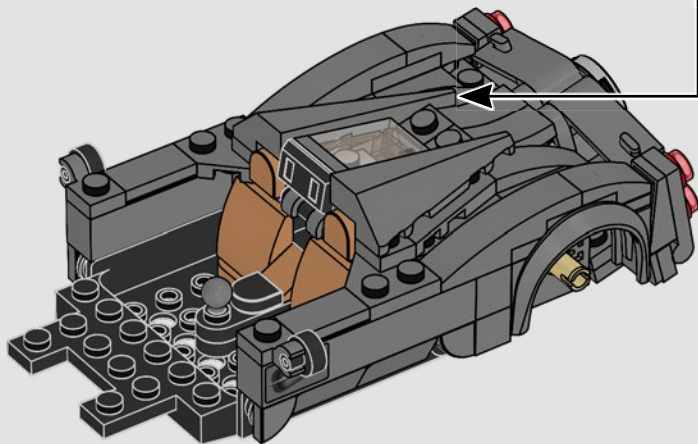
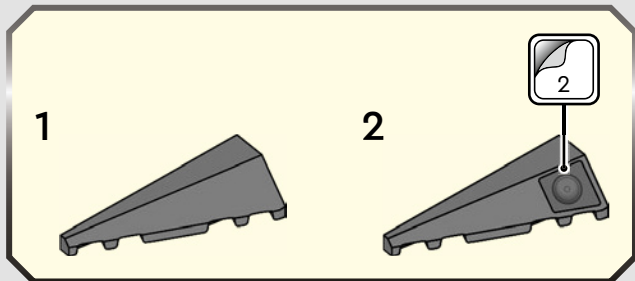
44

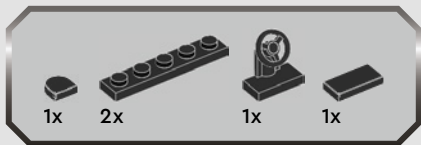




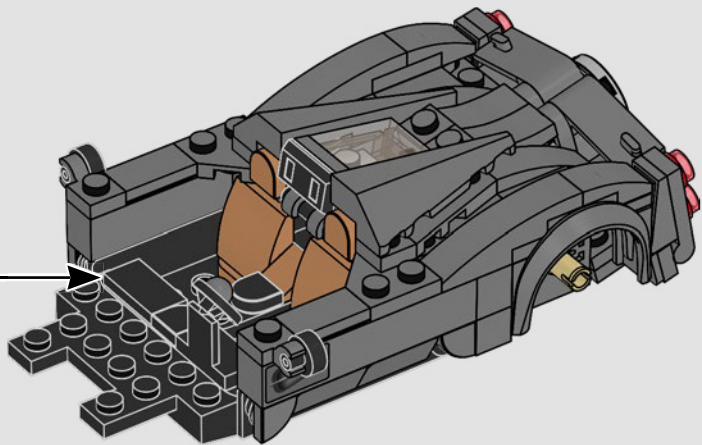
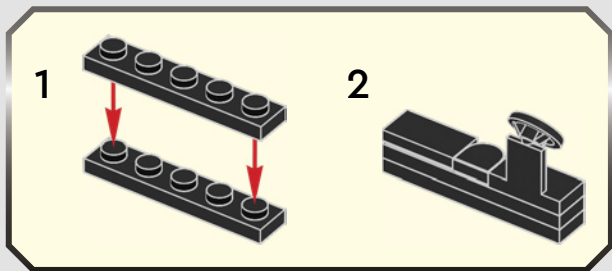


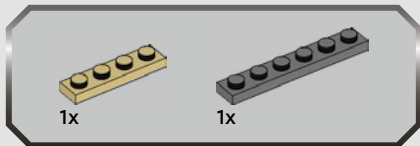
45



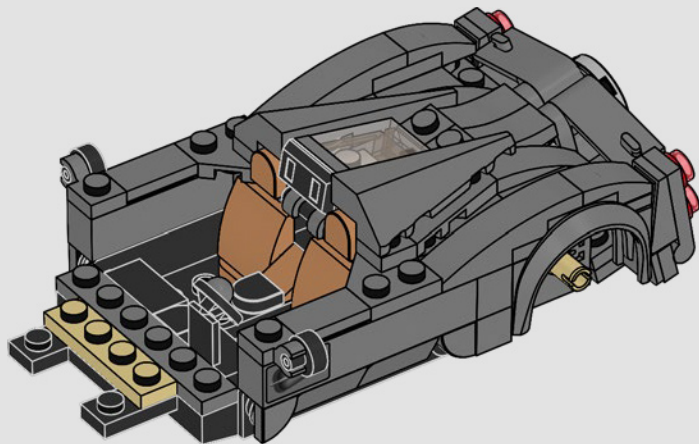


46



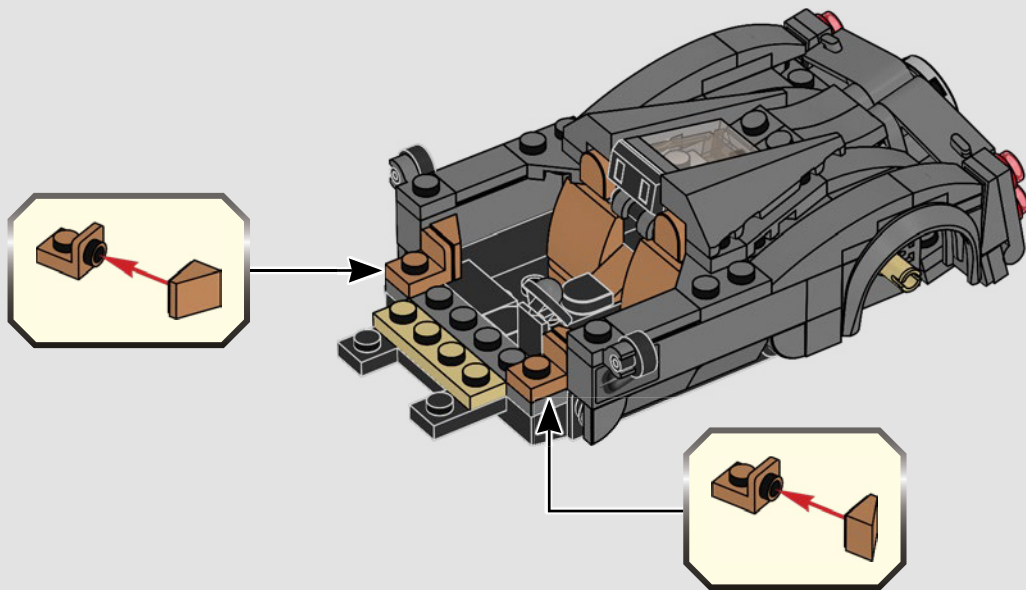


47





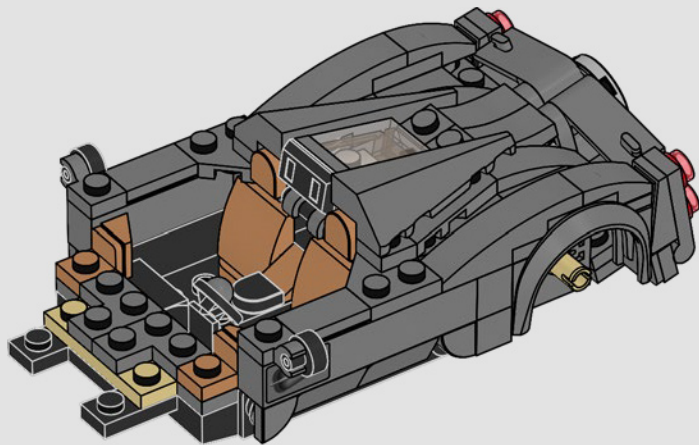
48

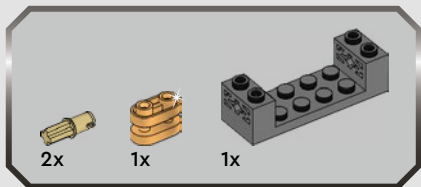




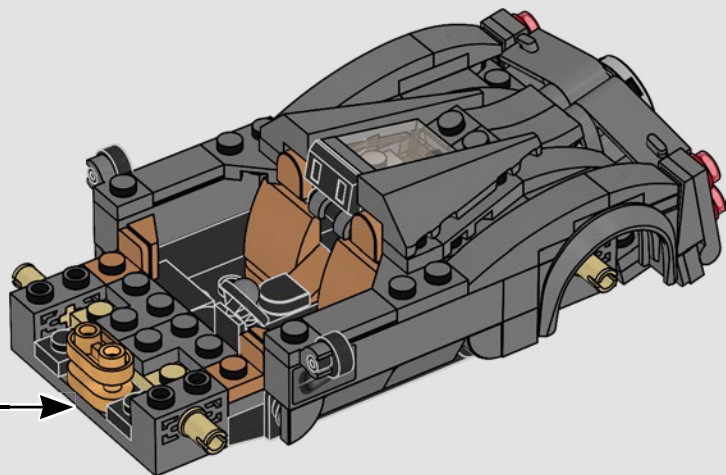
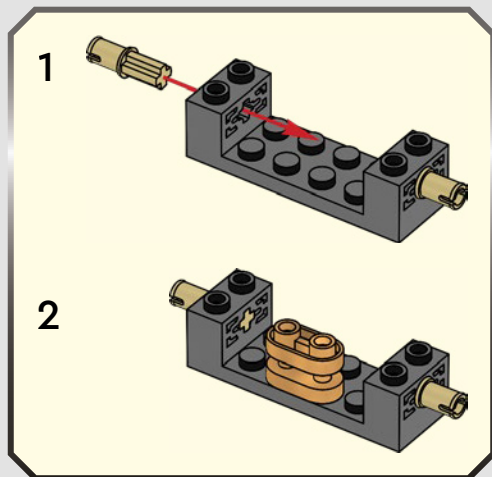
2x

49



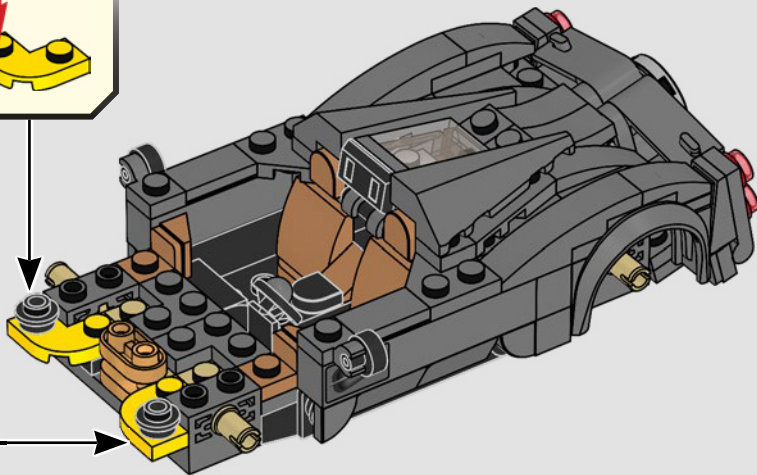


50



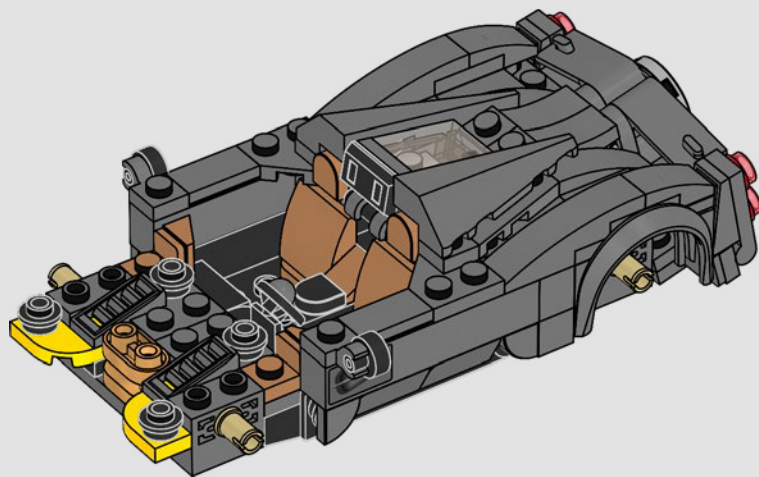


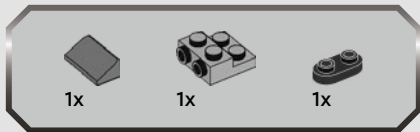
51



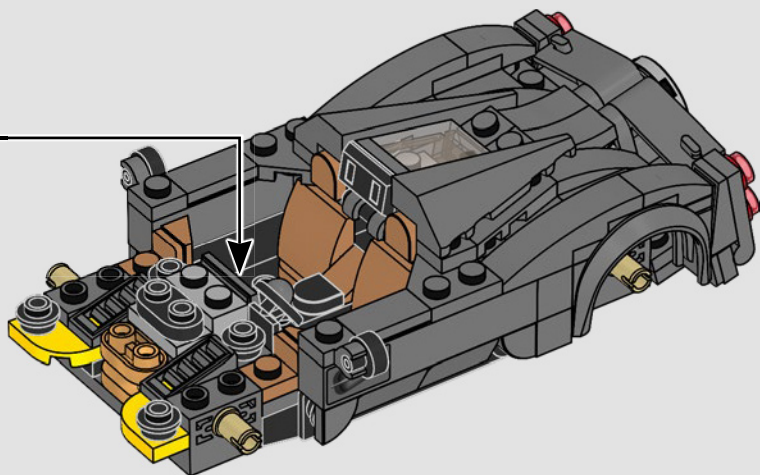
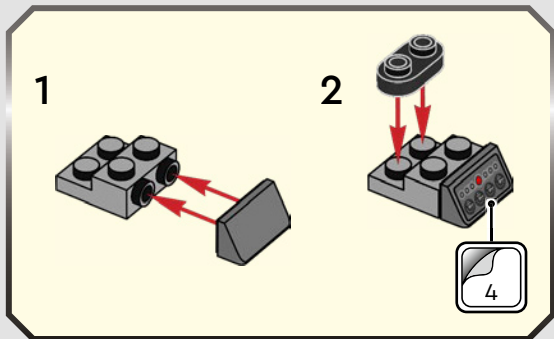


52





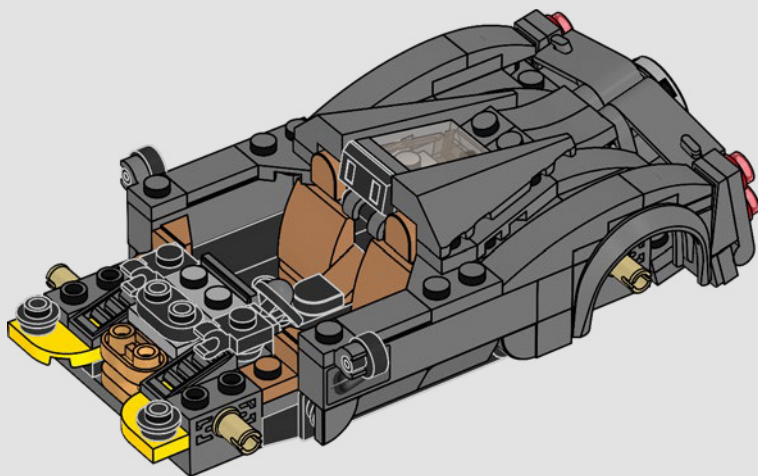
53

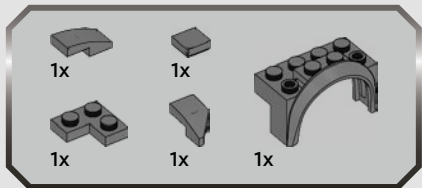




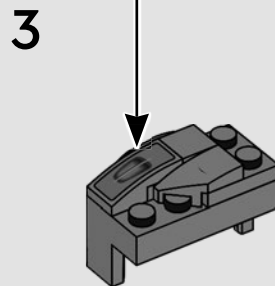
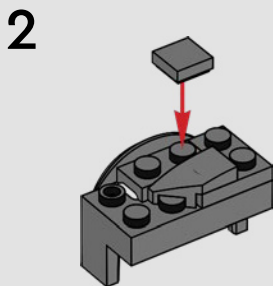
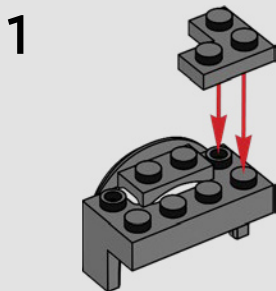
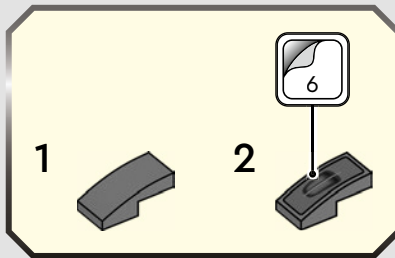
2x

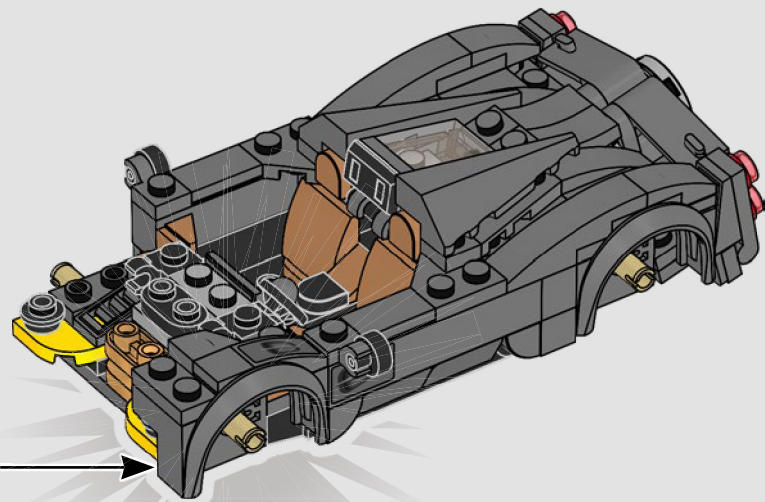
54

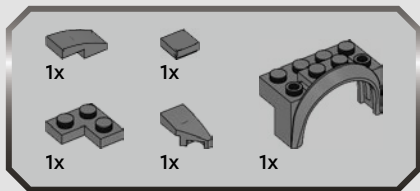




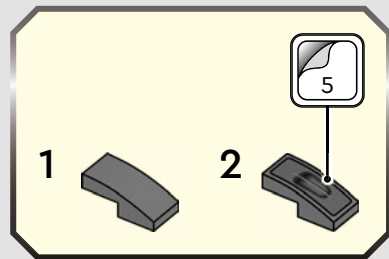
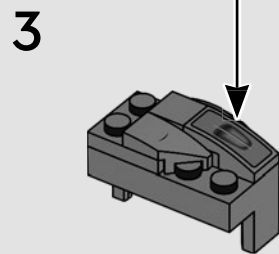
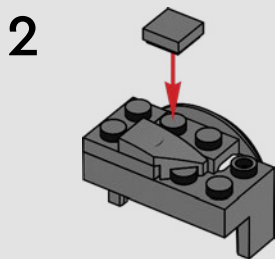
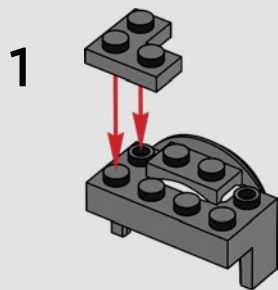
55

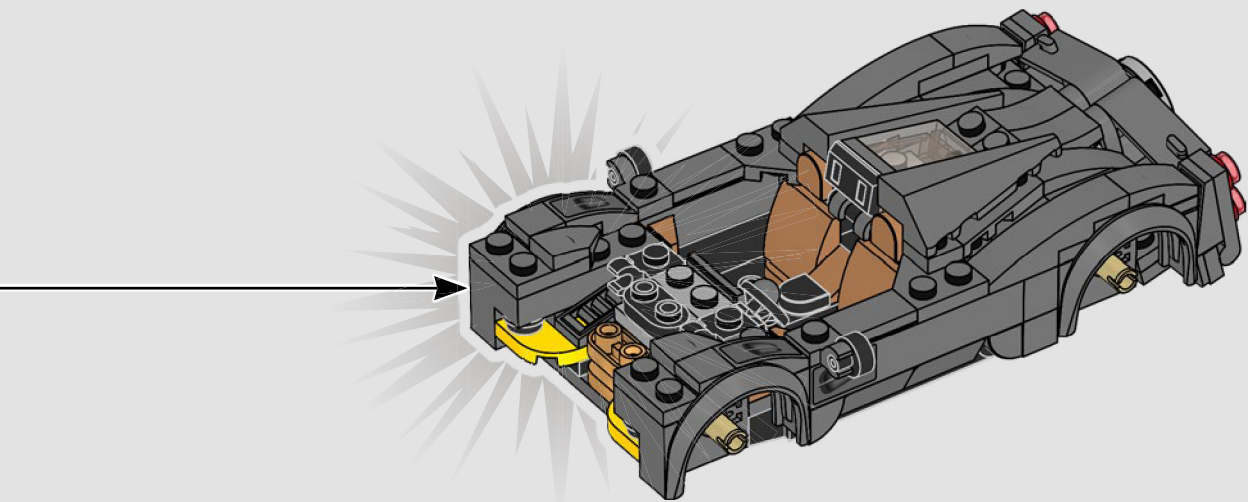






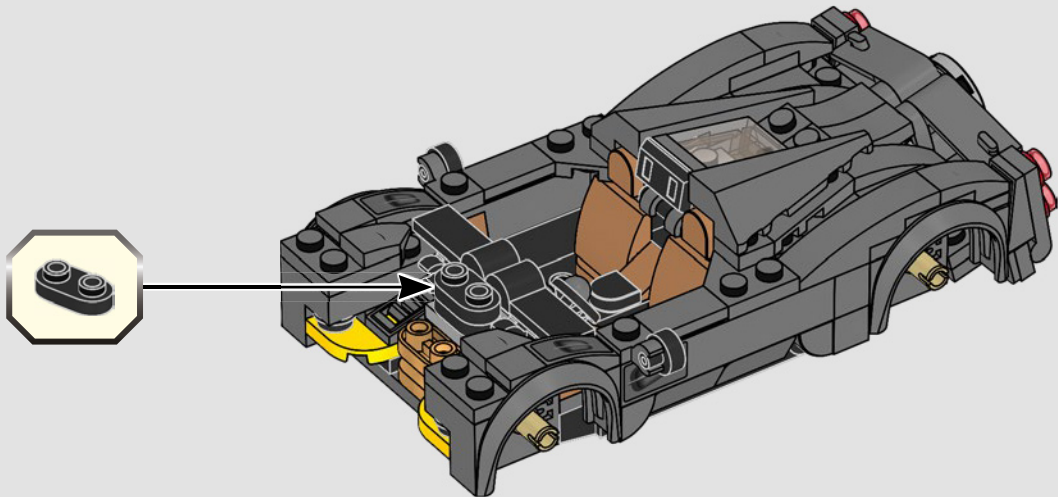
56

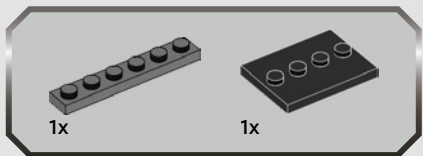




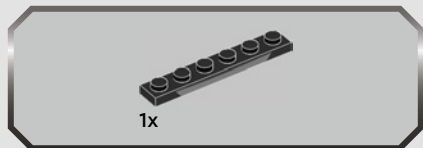
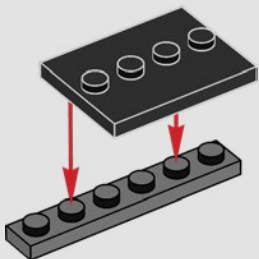


57

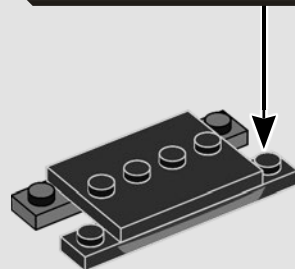




58

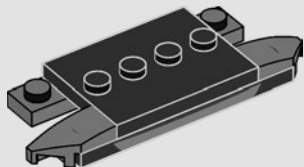


59

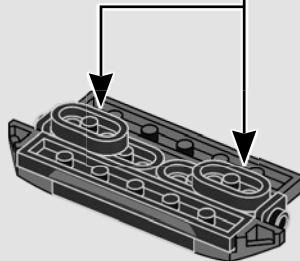
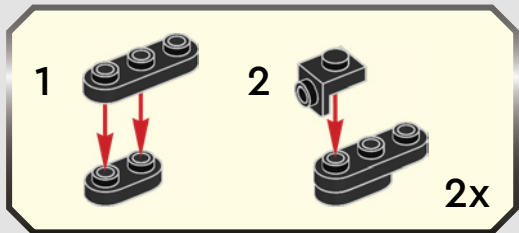




60

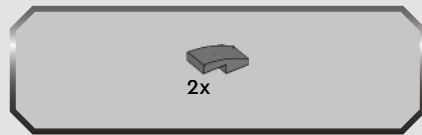
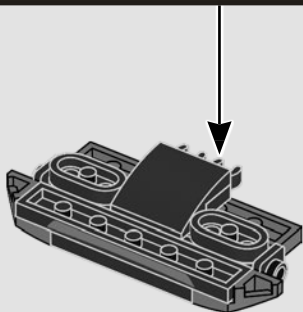
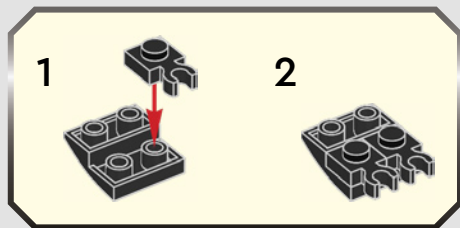


61

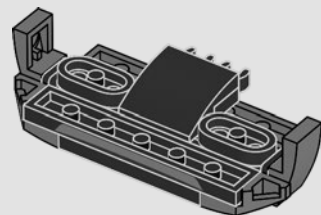




62

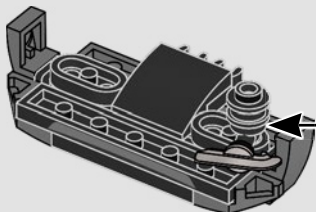
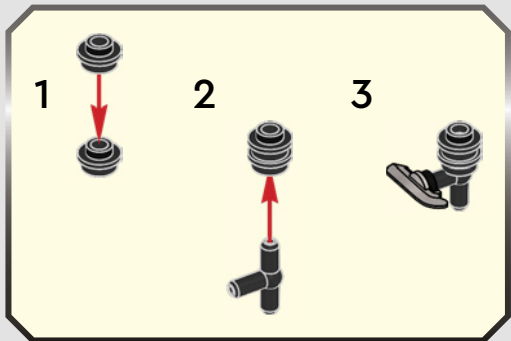


63

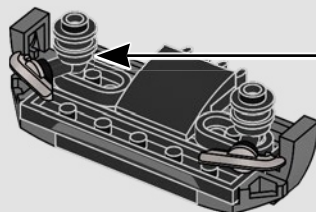
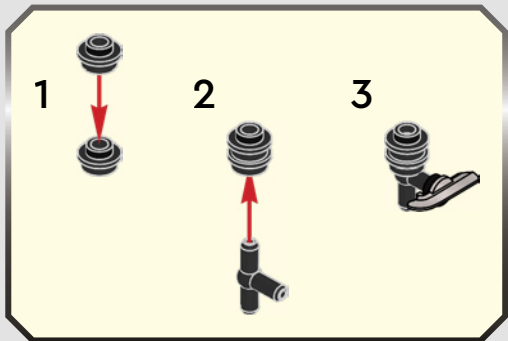




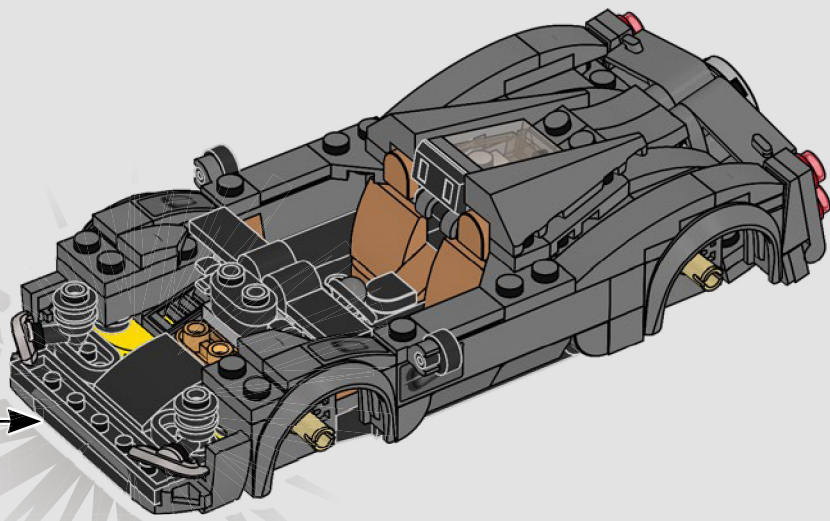
64



65

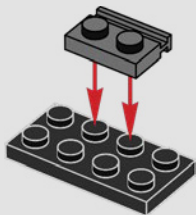


66

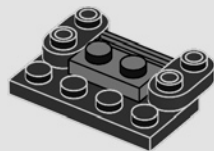


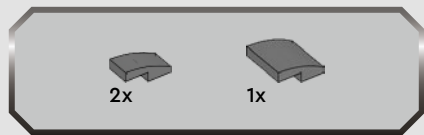


67

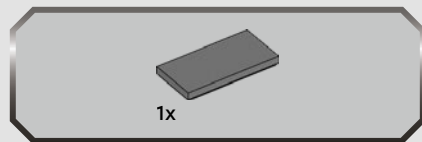
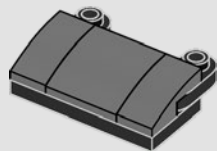


68

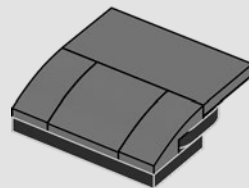




69



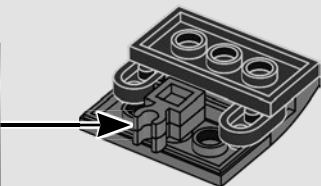
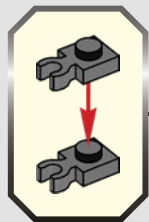
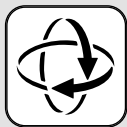
70





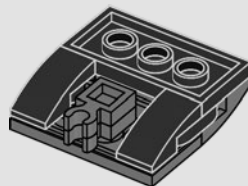
2x

71



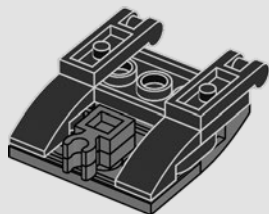
2x

72

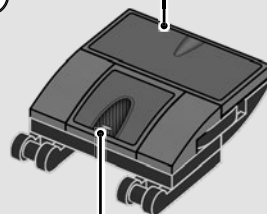




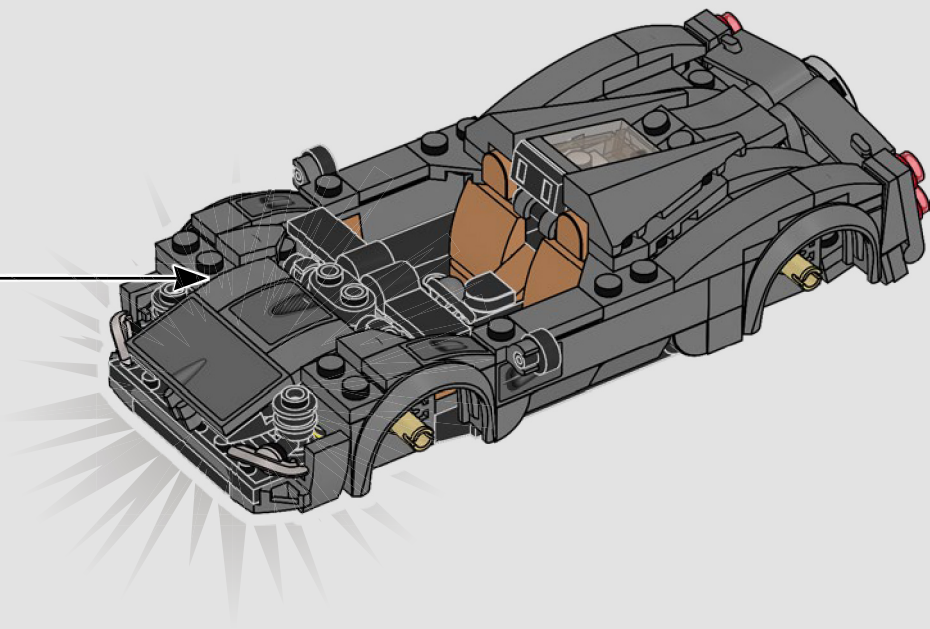
73

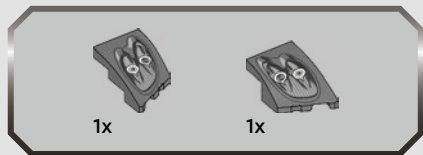


74

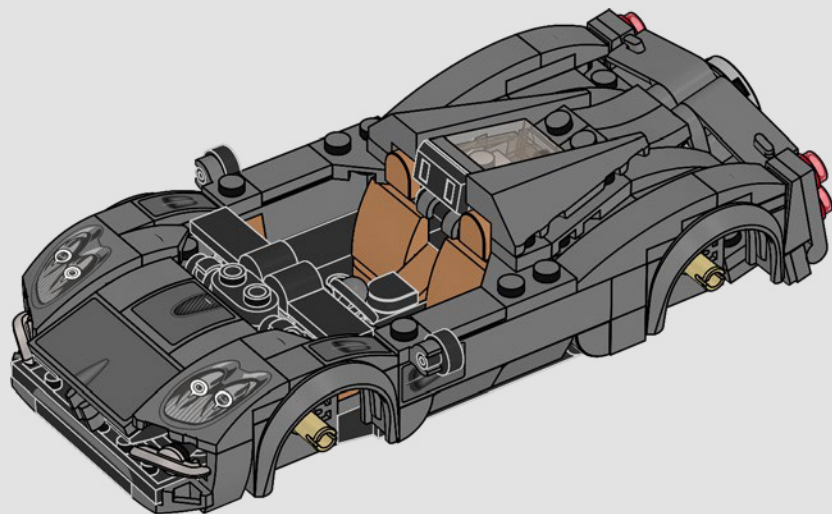


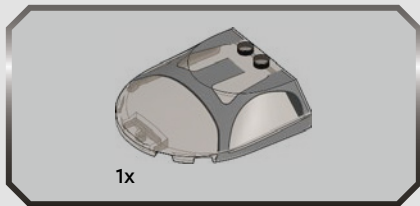
75



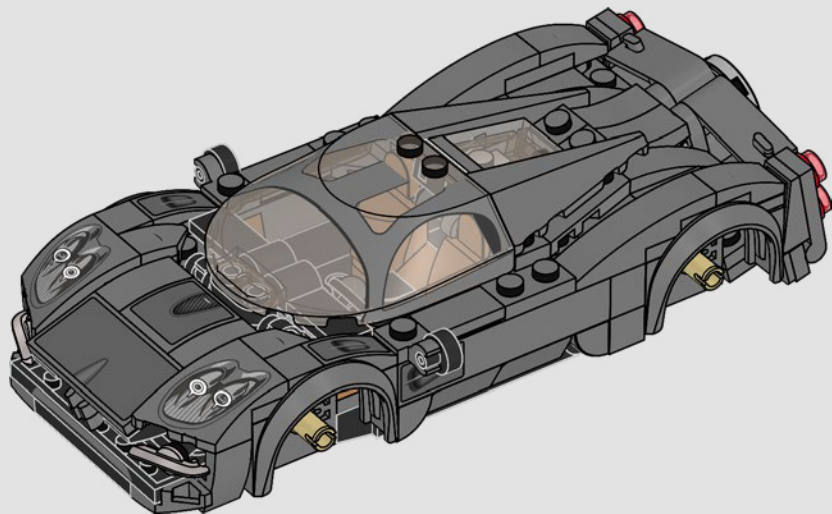


76



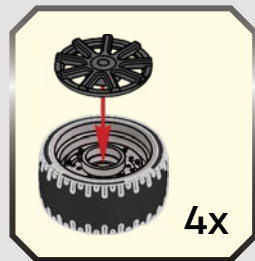
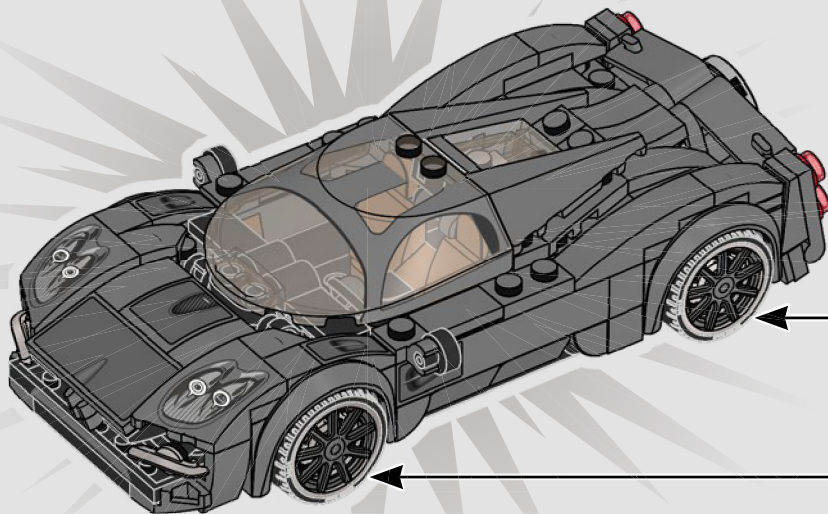


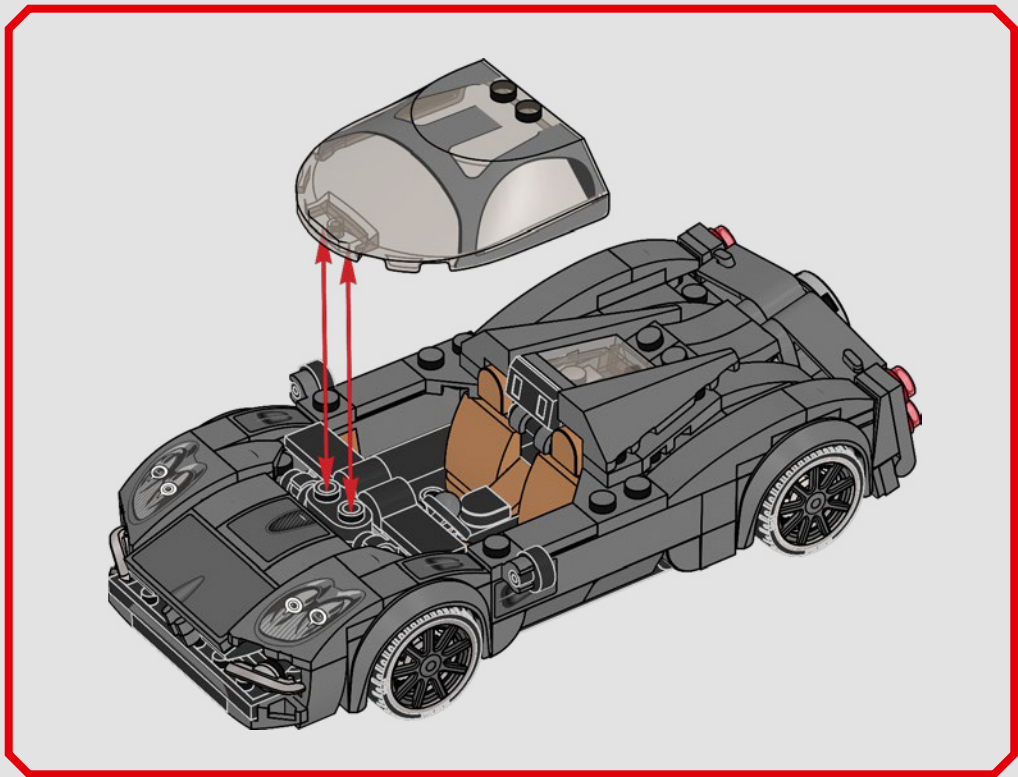
77

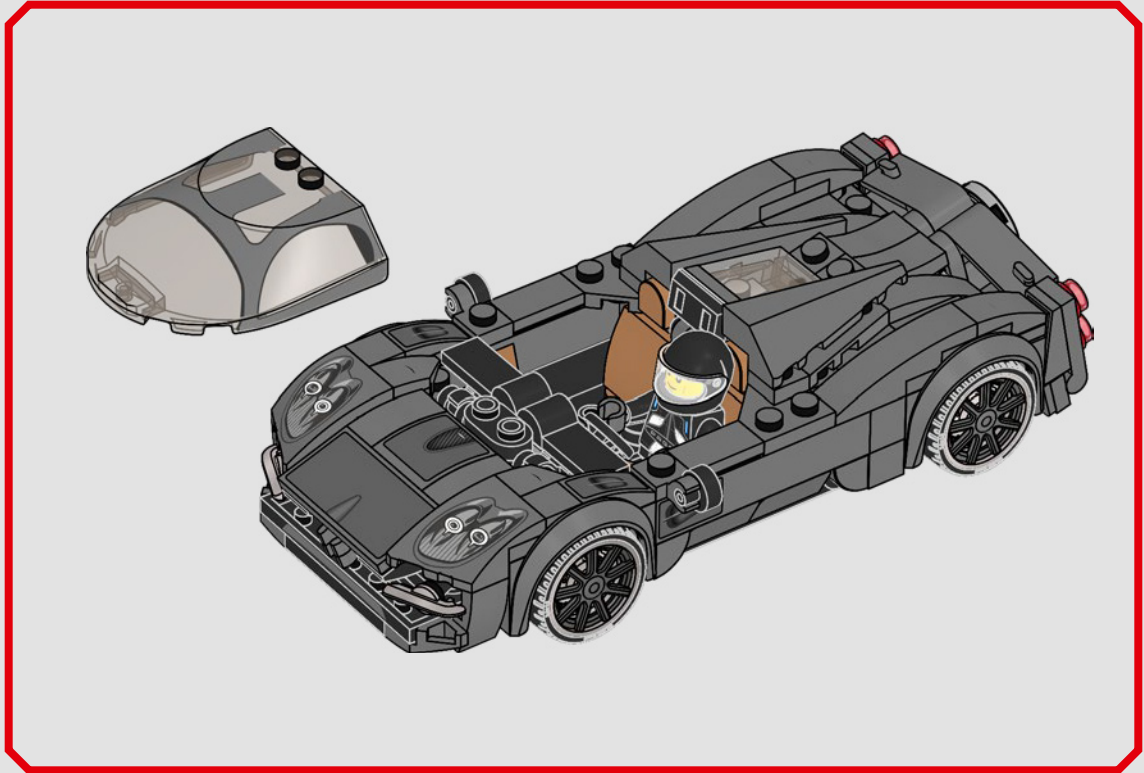


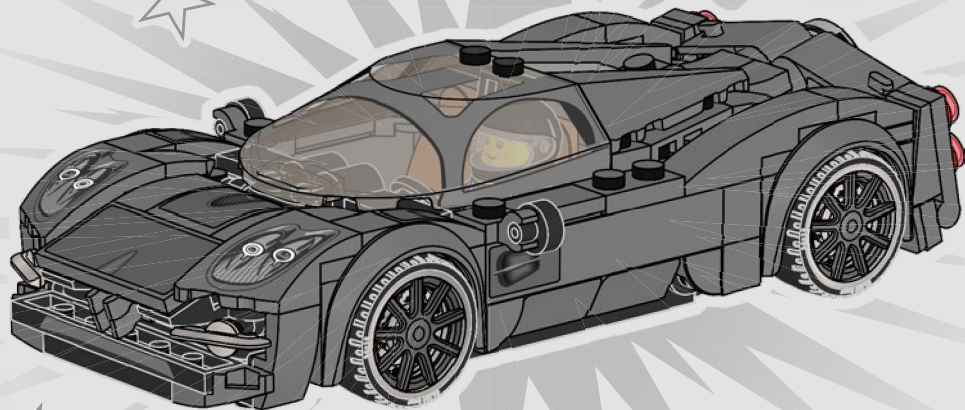


78











SPEED CHAMPIONS



76918



76914

Produced under license of Ferrari S.p.A. The name FERRARI, the PRANCING HORSE device, all associated logos and distinctive designs are property of Ferrari S.p.A. The body designs of the Ferrari cars are protected as Ferrari S.p.A. property under design, trademark and trade dress regulations.



76915

The trademarks PAGANI and Pagani Automobili and Utopia are registered trademarks and used under license from HORACIO PAGANI S.P.A., Italy

Under license of Porsche AG.



76916

Nissan Motor Co., Ltd. trademarks, designs, copyrights and/or other intellectual property rights used under license.

Copyright © 24 Hours of Le Mans. « Le Mans », « 24 Hours of Le Mans » and the 24 Hours of Le Mans' logo are registered trademarks of the Automobile Club de l'Ouest and are used under license by the LEGO Group.



76917

Manufactured under license from McLaren Automotive Limited. The McLaren name and logo are registered trademarks of McLaren.

© Universal City Studios LLC. All Rights Reserved.



4x
4666579



1x
4114026



2x
4113916



3x
4113233



1x
6283875



2x
6365891



18x
6168646



2x
6186675



1x
6437918



2x
6278152

74



4x
6424674



2x
6256435



2x
4106347



2x
6273589



2x
6299338



2x
6308000



1x
4298619



7x
6210270



2x
6104209



2x
6330189



1x
6437922



1x
6138173



1x
243226



1x
6092585



1x
6156991



2x
6147050



3x
306926



1x
73081



6x
6428168



2x
4515368



1x
6211476



1x
400626



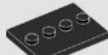
1x
6438063



1x
302026



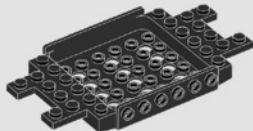
2x
6350415



1x
6076678



1x
6437919



1x
6424673



1x
6424855



2x
6248078



2x
6227897



1x
6437920



1x
4654577



1x
4211396



1x
6253217



1x
6437921



4x
6208450



1x
6244787



2x
6092590



2x
6349124



2x
6383946



3x
6167690



2x
6324205



2x
6399909



2x
6312473



2x
6336665

6x
6199549

4x
4210848

4x
4210719

2x
6344022

2x
6204668

2x
6360111

1x
6364352

8x
6221607

4x
4211052

2x
6296892

5x
4567887

2x
4211063

2x
6164073

2x
4211044

2x
6228923

6x
4540386

10x
6029948

1x
4210872

1x
4210869

2x
6204667

1x
6000606

1x
6350292

1x
4543086

2x
6309059

4x
4210635

2x
6436222

2x
6436223

4x
4521187

1x
6071261

4x
4211088

2x
6388127

2x
4246896

1x
6437917

1x
6437916

2x
6271127

2x
6042955

1x
4560184

4x
6424675

1x
6431187

1x
6431186

5x
4211056

2x
4211100

2x
6287680

1x
6370621

2x
6215447

2x
6088641

4x
6438086

1x
6323457

 [LEGO.com/service](https://www.LEGO.com/service)



YOU COULD **WIN**



Scan this QR code or go to **LEGO.COM/PRODUCTFEEDBACK** and give us your short feedback about this LEGO® set for a chance to win a cool LEGO prize.

Terms and Conditions apply*

DE: Du könntest GEWINNEN. Es gelten die Teilnahmebedingungen* **FR: Tu pourrais GAGNER.** Des conditions s'appliquent* **IT: Potresti VINCERE tu.** Termini e condizioni sono applicabili* **ES: Puedes GANAR.** Aplican términos y condiciones* **PT: Poderá GANHAR.** Aplicam-se termos e condições* **JA: プレゼント付き! 利用規約が適用されます*** **ZH: 轻松获奖. 条款和条件适用*** **KO: 상품의 주인이 되어보세요. 소정의 약관이 적용됩니다*** **RU: Вы можете ВЫИГРАТЬ.** Действуют положения и условия* **PL: Szansa na WYGRANĄ.** Obowiązują warunki korzystania* **CS: Máte šanci VYHRÁT.** Platí všeobecné smluvní podmínky* **SK: Máte šancu VYHRAŤ.** Platia všeobecné zmluvné podmienky* **HU: TE IS NYERHETSZ.** Felhasználási feltételek érvényesek* **RO: Ai putea CÂȘTIGA.** Se aplică termeni și condiții* **BG: Можете да СПЕЧЕЛИТЕ.** Има определени правила и условия* **LV: Tu vari LAIMĒT.** Ir spēkā noteikumi un nosacījumi.* **ET: Sul on võimalus VÕITA.** Kehtivad tingimused* **LT: Jūs galite LAIMĖTI.** Taikomos sąlygos*

*LEGO.com/productfeedback-terms